

# Series L23

## LED Wall Mount, Surface or Pendant Mount Linear Fixture

A linear 2 x 3 fixture for distinctive architectural lighting plans. Ideal for corridors, lobbies, and office areas, 2 x 3 Series fixtures can be installed individually or in a continuous run. Specially designed for direct/indirect lighting with snap in lens to hide the lamps or LED arrays. Ideal where downlight and uplight are required.

### CONSTRUCTION

Die-formed and welded 22-gauge cold rolled steel. Knockouts on ends allow continuous wireway mounting. Housing is specially designed for direct/indirect lighting with separating power source compartments for each.

### DIFFUSERS

Special LED formulated frosted lenses with snap in feature for easy access.

### TYPICAL OPTIONS & ACCESSORIES

Cord sets, whips, occupancy sensors, hanging kits, etc. Contact factory for more details.



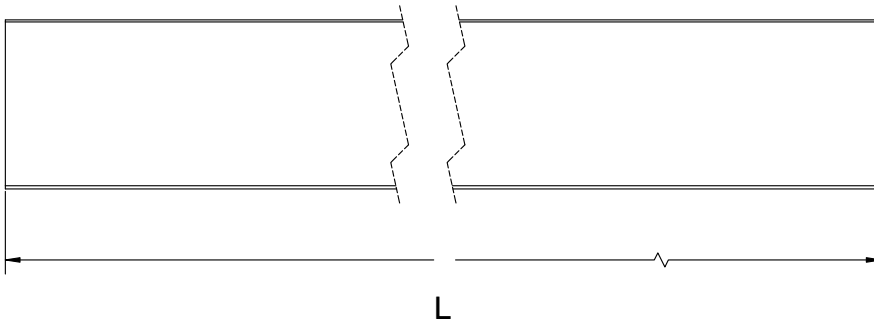
### DIMENSIONS

2ft.-2"W x 24"L x 3"H  
4ft.-2"W x 48"L x 3"H  
8ft.-2"W x 96"L x 3"H

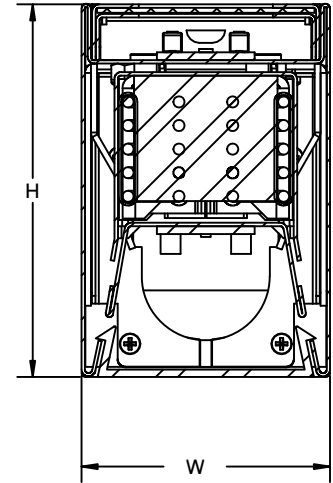
### FEATURES & BENEFITS

- Can be surface mounted to the ceiling or pendant hung by engineered hanging kit.
- Attractive source of direct or indirect lighting for use in offices, hallways, conference rooms and medical facilities
- Available in custom finish. Consult factory for details.
- External Emergency Battery Backup is available
- Suitable for dry or damp location
- 50,000 hrs of L70 LED life
- CRI >80
- 0-10 Volt dimmable 120-277V
- Power Factor 0.99
- 100 lm/w
- 0-10V dimming or Triac dimming
- 5 year warranty.

**PENDANT MOUNT  
DRAWINGS AND DIMENSIONS**



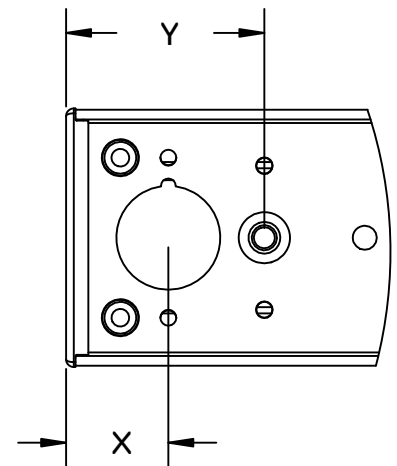
**End Side View**



PART	L	W	H	X	Y
L23P12L	12.00"	2.00"	3.00"	0.80"	1.55"
L23P24L	24.00"	2.00"	3.00"	0.80"	1.55"
L23P36L	36.00"	2.00"	3.00"	0.80"	1.55"
L23P48L	48.00"	2.00"	3.00"	0.80"	1.55"
L23P60L	60.00"	2.00"	3.00"	0.80"	1.55"
L23P72L	72.00"	2.00"	3.00"	0.80"	1.55"
L23P84L	84.00"	2.00"	3.00"	0.80"	1.55"
L23P96L	96.00"	2.00"	3.00"	0.80"	1.55"

L-Length  
W-Width  
H-Height  
X-Knock Out Distance  
Y-Hanging Kit Distance

**End Top View**







Texas Fluorescents  
Reinvented

CATALOG#: \_\_\_\_\_  
PROJECT: \_\_\_\_\_  
TYPE: \_\_\_\_\_

# Series L23

## LED Wall Mount, Surface or Pendant Mount Linear Fixture

### PRODUCT NUMBERS 4 and 8Ft.

SERIES	LENS MATERIAL	LENGTH	WATTAGE & LUMENS	DRIVER	COLOR	
<b>L23W</b> Wall Mount <b>L23P</b> Pendant Mount <b>SSL23W</b> Wall Mount Occupancy Sensor (ON WHEN OCCUPIED, OFF WHEN NOT) <b>SSL23P</b> Pendant Mount Occupancy Sensor (ON WHEN OCCUPIED, OFF WHEN NOT)	<b>SF</b> Snap-in frosted acrylic lens (85% transmission) Special for LEDs; only available for uplight and downlight	<b>48L 48"</b>	<b>Up and Down</b>	<b>UV12WDT24W</b> Uplight 12 Watts Downlight 24 Watts 3600 Lumens	<b>DMV</b> 0-10V dimming <b>GMV</b> Triac dimming	<b>30K</b> 3000K <b>35K</b> 3500K <b>40K</b> 4000K <b>50K</b> 5000K
				<b>UV18WDT36W</b> Uplight 18 Watts Downlight 36 Watts 5400 Lumens		
				<b>T26W2600L</b> 26 Watts 2600 Lumens		
				<b>T38W3800L</b> 38 Watts 3800 Lumens		
				<b>T45W4500L</b> 45 Watts 4500 Lumens		
				<b>Down Light Only</b>		
				<b>T26W2600L</b> 26 Watts 2600 Lumens		
				<b>T38W3800L</b> 38 Watts 3800 Lumens		
				<b>T45W4500L</b> 45 Watts 4500 Lumens		
				* *		
		<b>96L 96"</b>	<b>Up and Down</b>	<b>UV24WDT48W</b> Uplight 24 Watts Downlight 48 Watts 7200 Lumens		
<b>UV36WDT72W</b> Uplight 36 Watts Downlight 72 Watts 10800 Lumens						
<b>T52W4800L</b> 52 Watts 5200 Lumens						
<b>T76W7600L</b> 76 Watts 7600 Lumens						
<b>T90W9000L</b> 90 Watts 9000 Lumens						
<b>Down Light Only</b>						
<b>T52W4800L</b> 52 Watts 5200 Lumens						
<b>T76W7600L</b> 76 Watts 7600 Lumens						
<b>T90W9000L</b> 90 Watts 9000 Lumens						
* *						

FINISH	CONFIGURATION	OPTIONS
<b>WH</b> White <b>BK</b> Black <b>SI</b> Silver	<b>Blank</b> Individual <b>-B</b> Beginner Run <b>-E</b> Ender Run <b>-J</b> Joiner	<b>HC605WH</b> Cable kit with 6' cable & 5 wires power feed/cable incl., clear cord and white canopy (included power feed and non-power feed) <b>HC605WHNPF</b> Cable kit with 6' cable & white canopy, non power feed (non-power feed only) <b>HC612WH</b> Cable kit with 12' cable & 5 wires power feed/cable incl., clear cord and white canopy (included power feed and non-power feed) <b>HC612WHNPF</b> Cable kit with 12' cable & white canopy, non power feed (non-power feed only)

Note:

\*Programmable LED drivers allow custom configured wattages and corresponding lumens.

We reserve the right to change design, materials, LED's and finish in any way that will not alter installed appearance or reduce function and performance.



## UNIVERSAL 360° SENSOR SNAP FIT ENCLOSURE • LINE VOLTAGE • PASSIVE INFRARED

### SPECIFICATIONS

#### FEATURES

- Self-Contained Relay,  
No Power Pack Needed
- No Minimum Load Requirements
- Interchangeable Hot & Load Wires,  
Impossible to Wire Backwards
- Push-Button Programmable
- Adjustable Time Delays
- No Field Calibration or Sensitivity  
Adjustments Required
- Convenient Test Mode
- 100 hr Lamp Burn-in Timer
- Green LED Indicator

#### LAMPMAXIMIZER® TECHNOLOGY

- Protects Lamp Life while  
Maximizing Energy Savings
- Minimum On Timer (15 min default)
- Occ. Time Delay (10 min default)

#### PHYSICAL SPECS

SIZE 2.25" H x 1.38" W x 0.82" D  
(5.715 cm x 3.51 cm x 2.08 cm)

WEIGHT 4 oz

MOUNTING Snaps into 2 3/16" H x  
1 5/16" W x 1" D cavity in fixture

COLOR White

#### ELECTRICAL SPECS

LOAD RATING (1 PHASE ONLY)

800 W @ 120 VAC

1200 W @ 277 VAC

1500 W @ 347 VAC

MOTOR LOAD 1/4 HP

FREQUENCY 50/60 Hz

Timers are 1.2x for 50 Hz

#### ENVIRONMENTAL SPECS

OPERATING TEMP

14° to 160° F (-10° to 71° C)

RELATIVE HUMIDITY

20 to 90% non-condensing

SILICONE FREE

ROHS COMPLIANT

#### OVERVIEW

The Universal 360° Snap Fit sensor is a compact line voltage sensor that snaps directly into a small cavity in a fixture. The sensor utilizes Passive Infrared (PIR) detection to detect motion from occupants within its 360° coverage pattern that overlaps that of most HID, T-5, T-8, or LED fixtures used in high bay or low bay applications.

#### SENSOR OPERATION

The sensor detects changes in the infrared energy given off by occupants as they move within the field-of-view. When occupancy is detected, a self-contained relay switches the connected lighting load on. The sensor is line powered, switches line voltage, and requires no field calibration or sensitivity adjustments.

#### LAMPMAXIMIZER®

This sensor also contains patented LampMaximizer technology that allows users to aggressively target energy savings while still protecting lamp life. A minimum on timer, factory set at 15 minutes, helps preserve lamp life by eliminating all lamp cycles shorter than lamp manufacturers' recommendations.

A standard occupancy time delay is also present that ensures lights turn off (assuming minimum on timer has elapsed) if no occupancy is detected. This timer is factory set at 10 minutes to promote energy savings, but is adjustable between 30 seconds and 30 minutes. These adjustments can be done manually, through the unit's push-button; no tools required.

### OPTIONS

#### 347 VAC (347)

- Allows sensor to be powered from and switch 347 VAC

#### LOW TEMP/HIGH HUMIDITY (LT)

- Sensor electronics are coated for corrosion resistance
- Operates down to -40° F/C
- R required for cooler/freezer applications



TITLE 24  
ASSEMBLED in U.S.A.  
5 YEAR WARRANTY

### ORDERING INFO SFR 30 [VOLTAGE] [TEMP/HUMIDITY]

#### VOLTAGE

Blank = 120/277 VAC  
347 = 347 VAC

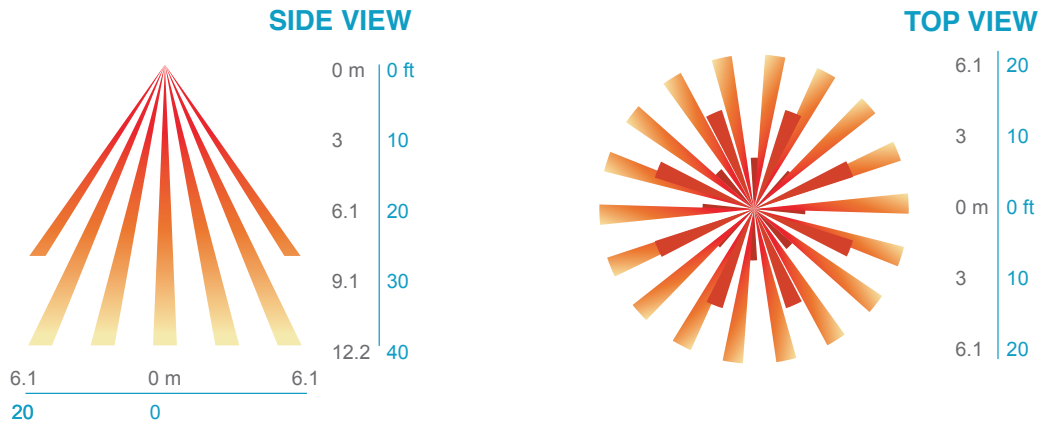
#### TEMP/HUMIDITY

Blank = Standard  
LT = Low Temp

## COVERAGE PATTERN

### UNIVERSAL 360° LENS

- Provides excellent detection of large motion (e.g. walking) when mounted between 15 to 40 ft (4.57 to 12.19 m)
- 15 to 20 ft (4.57 to 6.10 m) radial coverage overlaps area lit by a typical high bay fixture
- Recommended for fixtures that have a 1:1 spacing to mounting height ratio or less (e.g. fixtures 30' on center or less @ a 30' mounting height).



## WIRING (DO NOT WIRE HOT)

### STANDARD WIRING

- BLACK\* - Line Input
  - BLACK\* - Load Output
  - WHITE - Neutral
- \*BLACK wires can be reversed

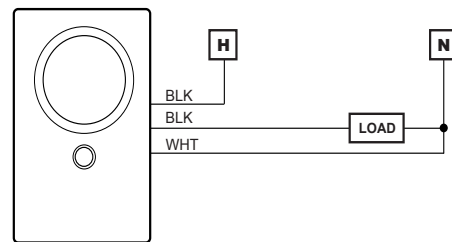
### 347 VAC OPTION

Black wires are replaced w/ Red wires

### INITIAL POWER UP

The sensor's relay is shipped in a latched closed position so the lights will come on upon initial power-up. If the lights do not immediately turn on (initial installation only) the latching relay opened during shipment and will close within 30 secs.

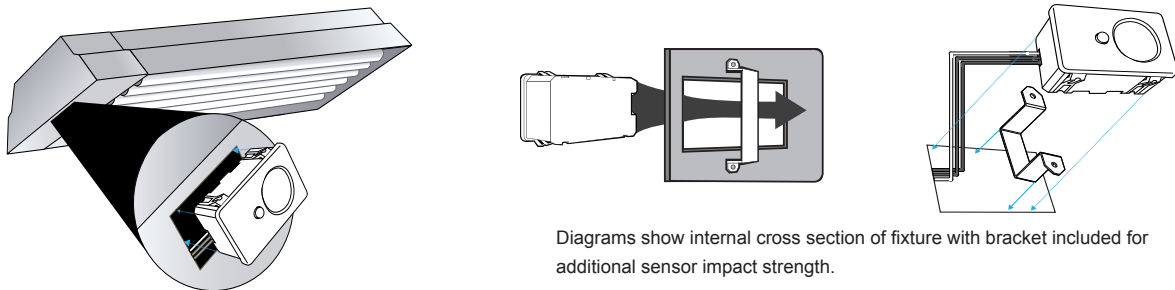
Note: If the sensor loses power, the internal relay will latch closed.



## INSTALLATION

### MOUNTING

- The snap fit enclosure is designed to fit snugly inside a 2 3/16" H x 1 5/16" W x 1" D cavity in a luminaire.



Diagrams show internal cross section of fixture with bracket included for additional sensor impact strength.

- For optimal detection, position sensor such that segments are crossed upon entrance and unable to view outside the space

### PROGRAMMING

Refer to instruction card IC1-002 for default settings and directions on programming the sensor via the push-button.

**sensorswitch**

An Acuity Brands Company

**WARRANTY:** Sensor Switch warrants these products to be free of defects in manufacture and workmanship for a period of 60 months. Sensor Switch, upon prompt notice of such defect, will, at its option, provide a Returned Material Authorization number and repair or replace returned product.

**LIMITATIONS AND EXCLUSIONS:** This Warranty is in full lieu of all other representation and expressed and implied warranties (including the implied warranties of merchantability and fitness for use) and under no circumstances shall Sensor Switch be liable for any incidental or consequential property damages or losses.

**TS-SFR-006A**