

## Flanged Rough-In Plate for 3" Regressed Gimbal Models LRG3 & LSG3



Project: \_\_\_\_\_

Location: \_\_\_\_\_

Quantity: \_\_\_\_\_

To be used with Lotus LED Lights model: \_\_\_\_\_

Notes: \_\_\_\_\_

### DESCRIPTION

The FRP312 is designed for new construction or renovations where the ceiling framing is exposed. It comes with bars adjustable from 14" to 24" to precisely fit joist spacing and is made from sturdy steel for residential, commercial and industrial installations. To be used with Lotus LED Lights compatible fixtures listed on the right.

### FEATURES

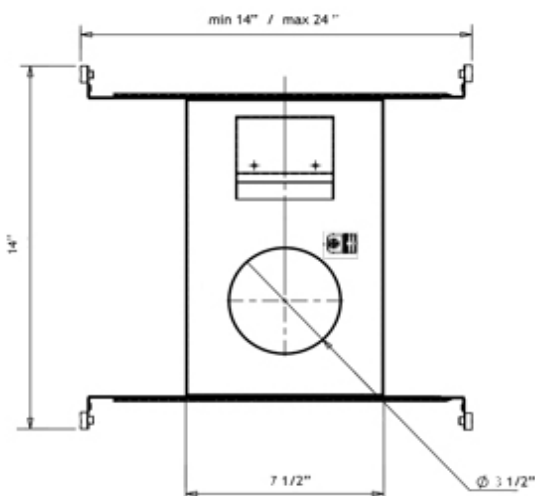
Designed with a 1/2" flange for precise drywall installation and to protect the drywall from damage during installation or removal of the fixtures. This rough-in plate has a driver-connection box mounting bracket to comply with the latest code and allows completion of the electrical wiring before the drywall is installed, thereby saving time and money. The driver can be pulled through the hole in case it needs to be serviced later. A cable strap keeps the connection box cable from being damaged when the hole is cut.

### MOUNTING

Measure the desired location for the light fixture. Install the FRP312 by screwing each bar hanger leg to the ceiling framing. Adjust to the desired location and tighten the included bar hanger screws so the rough-in plate will not move during drywall installation. After all cables are installed slide the connection box into the mounting clip.

Secure the white low voltage cable of the driver output into the cable to avoid damaging the cable when cutting the drywall hole. At time of fixture installation simply reach your hand through the opening and pull the driver cable through. Connect the driver cable and fixture cable, push up the springs and clip the light fixture into the ceiling.

### CEILING CUTOUT - 3 1/2"



### COMPATIBLE FIXTURES

- LRG3 series
- LSG3 series

### ORDERING GUIDE

cat # **FRP312**

