

**INSTALLATION INSTRUCTIONS**

SRF-4Z-3P



**⚠ WARNING**

These products may represent a possible shock or fire hazard if improperly installed or attached in any way. Products should be installed in accordance with these instructions, current electrical codes, and/or the current National Electric Code (NEC).

**⚠ WARNING**

This controller requires a 12-24V DC power supply (LED-DR series driver sold separately). Disconnect supply power at the source prior to installation.

**SAFETY INFORMATION**

- Read all instructions before beginning; Save these instructions for future use.
- To reduce the risk of fire, electric shock, or injury to persons, pay close attention to this manual and stay within its guidelines when using this product.
- This controller is rated IP20; avoid the sun and moisture.
- Avoid using controller in areas where extreme hot, cold, dust, or humidity exist.
- This controller is suitable for indoor, dry locations only.
- Always be sure to mount this controller in an area with proper ventilation to avoid overheating.

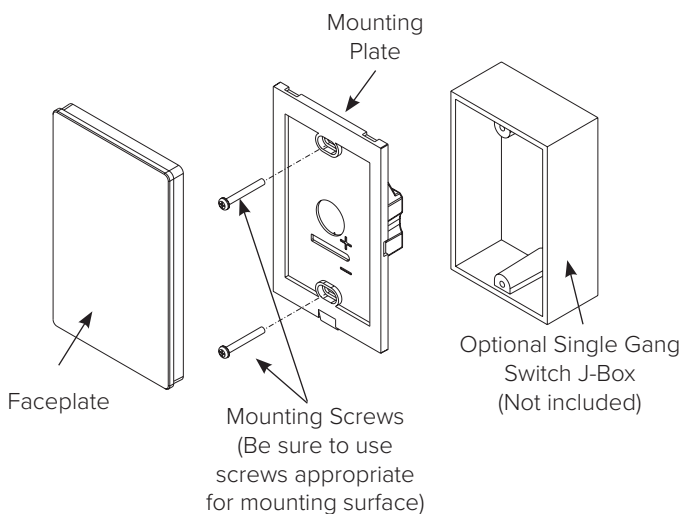
**INSTALLING CONTROLLER (SEE FIGURES 1 & 2):**

This controller requires a 12-24V DC power supply (LED-DR series driver sold separately).

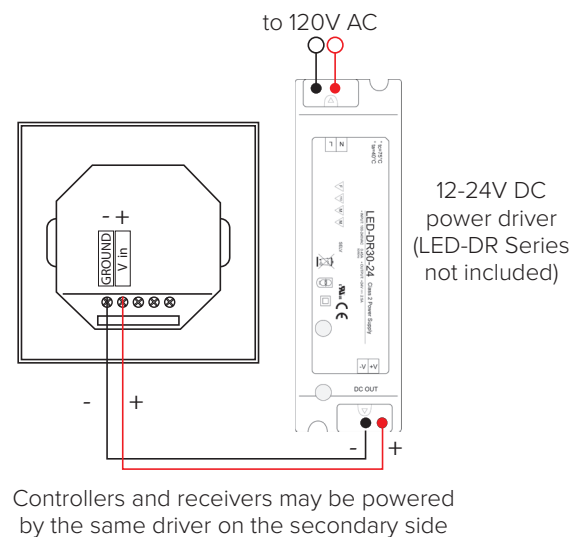
This controller requires a Radio Frequency receiver for operation (REC-5A-4Z or REC-5A-4Z-WiFi sold separately).

1. Determine desired location of controller. Cut a hole approximately 1-3/4" wide x 2-5/8" high.
2. At the base of the controller, there is a slot where the faceplate meets the mounting plate. Insert a flathead screwdriver into the slot to pop the two pieces apart.
3. Bring 12-24V DC supply power to the controller, matching polarity (See Figure 2).
4. Set the mounting plate into the 1-3/4" x 2-5/8" cut hole.
5. Secure mounting plate to mounting surface with appropriate screws on both the top and bottom of the controller. (Controller includes two #8-32 screws for optional single-gang switch j-box mounting; j-box not included)
6. Set faceplate cover over installed mounting plate and snap into place.

**FIGURE 1**



**FIGURE 2**





## INSTALLATION INSTRUCTIONS

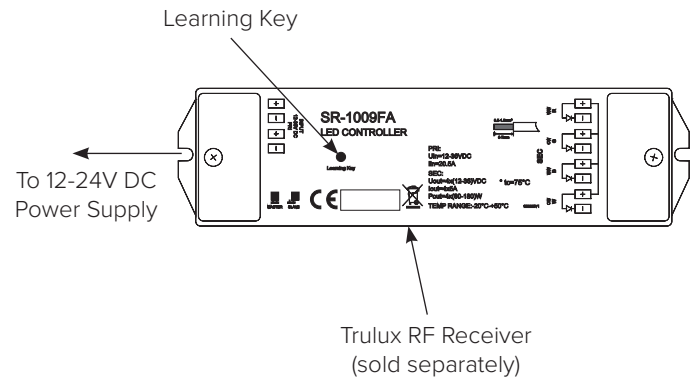
SRF-4Z-3P

**SYNCING CONTROLLER TO RECEIVER (SEE FIGURES 3 & 4):**

This controller requires a Radio Frequency receiver for operation (REC-5A-4Z or REC-5A-4Z-WiFi sold separately).

1. Touch the power icon on the controller once to turn on power to the controller.
2. Press the “Learning Key” on the receiver.
3. Select a zone by touching one of the four zone icons on the controller, then touch the slide dimmer to activate controller.
4. Once successfully synced, the connected light source will blink.
5. Repeat steps 2-3 when syncing multiple receivers to a single controller.
6. Press and hold the “Learning Key” to clear out saved sync data when wanting to reset scenes or zones.

FIGURE 3



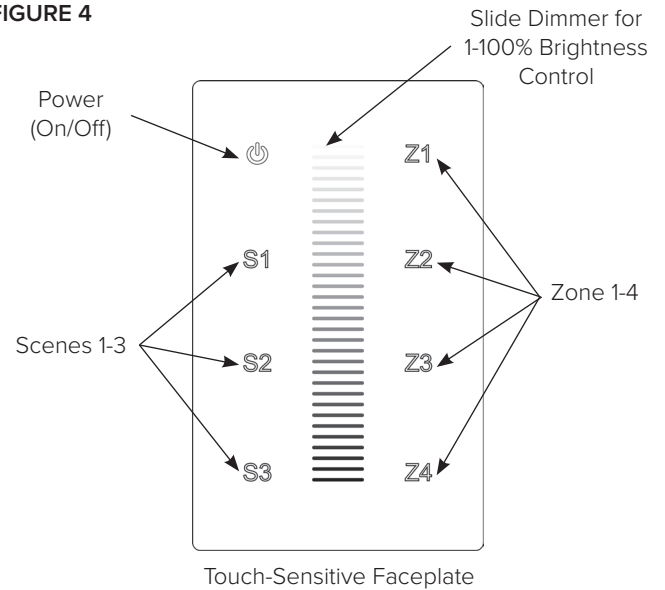
RF Controller “talks” to the receiver via a wireless Radio Frequency (RF) signal

**OPERATING CONTROLLER (SEE FIGURE 4):**

This controller requires a 12-24V DC power supply (LED-DR series driver sold separately).

1. Touch the power icon for On/Off power control.
2. To adjust brightness, touch and slide the slide dimmer for 1-100% brightness control.
3. To select a zone, touch the zone icon once. Memory can select multiple zones simultaneously.
4. To turn a zone On or Off, touch and hold zone icon for 2 seconds. The zone icon will turn Blue when ON and Yellow when OFF.
5. To save a scene, determine desired settings, touch and hold scene icon for 2 seconds. Memory will hold 3 scenes per zone.
6. To select a scene, touch one of the three scene icons once.

FIGURE 4

**CARE AND MAINTENANCE:**

1. For cleaning, use a soft, dry or damp cloth. Do not use harsh chemicals or abrasives.

**FCC Compliance Statement**

This device complies with part 15 of the FCC Rules. Operation is subject to the following two conditions:

1. This device may not cause harmful interference, and
2. This device must accept any interference received, including interference that may cause undesired operation.

**FCC WARNING**

This equipment has been tested and found to comply with the limits for a Class B digital device, pursuant to Part 15 of the FCC Rules. These limits are designed to provide reasonable protection against harmful interference in a residential installation. This equipment generates, uses and can radiate radio frequency energy and, if not installed and used in accordance with the instructions, may cause harmful interference to radio communications. However, there is no guarantee that interference will not occur in a particular installation. If this equipment does cause harmful interference to radio or television reception, which can be determined by turning the equipment off and on, the user is encouraged to try to correct the interference by one or more of the following measures:

- Reorient or relocate the receiving antenna.
- Increase the separation between the equipment and the receiver.
- Connect the equipment into an outlet different from that to which the receiver is connected.
- Consult the dealer or an experienced radio/TV technician for help.