

TRULUX RGB (IP68)

Installation Instructions for HTL68-RGB
24V DC operation



WARNING: These products may represent a possible shock or fire hazard if improperly installed or attached in any way. Products should be installed in accordance with these instructions, current electrical codes and/or the current National Electric Code (NEC).

WARNING: To avoid electrical shock, disconnect or disable power at the source prior to installation or maintenance. Use only with **LED-DR100-24** or **ELV-80J-24** from American Lighting. Factory warranty will be void if used with a non-recommended power supply, transformer, or driver.

IMPORTANT SAFETY INSTRUCTIONS

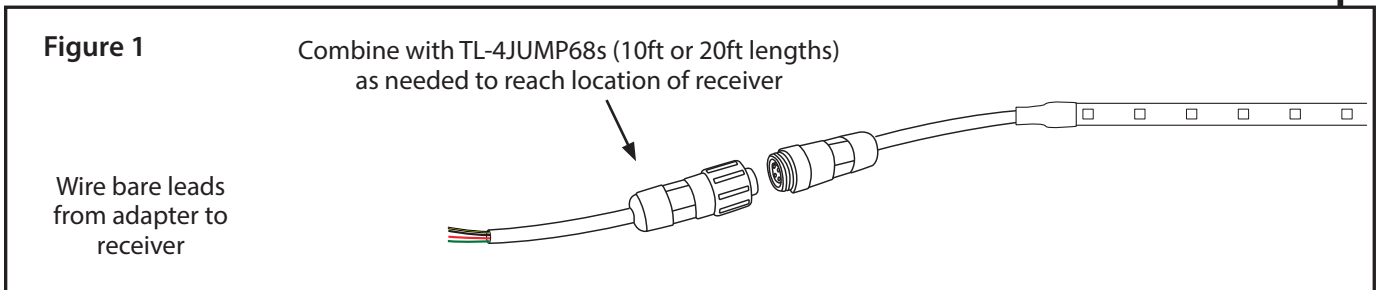
1. This IP68 rated tape light is suitable for *direct contact with standing water only if unaltered or field cut (once per reel) and properly sealed with IP68 end caps and silicone*
2. Do not use if there is any damage to the tape light, diodes, or conductors.
3. Do not route cords or tape light through walls, doors, windows or any similar part of a building structure.
4. Do not use in or around pools, spas, or aquariums.
5. Secure units using clips and/or extrusions designed for this product. Do not secure unit or its power connector with staples, nails, or any other sharp object/s that may damage product.

LAYOUT CONSIDERATIONS:

Never fold TruLux or bend past the minimum bending radius of 1" whether lighted or unlighted.

Note: The reel length is 16.4ft. **The minimum and maximum run length for HTL68-RGB is 16.4 feet.** Each reel includes an attached male IP68 connector and one female adapter cord (IP68 connector to bare leads). See Figure 1. The other end is sealed for IP68 locations.

Create the illusion of 32.8 continuous feet by combining two reels, two receivers and two LED-DR100-24 drivers. Install two systems such that the dead ends meet, making the appearance of a single 32.8ft length.



LED-DR RECEIVERS AND TRULUX CONTROLLERS:

LED-DR100-24 is recommended for use with the Trulux tape light and controllers.

LED-DR100-24 is the recommended driver when using Trulux controllers				
Trulux Series	Watts Per Foot	Min Run	Max Run	LED-DR100-24
HTL68-RGB	4.4W/ft	16.4'	16.4'	16.4 ft x 4.4W/ft = 72.2 watts

Trulux controllers are needed for operating Trulux RGB. The following controllers use Radio Frequency (RF) signals that are detected by a receiver. Each controller requires a receiver (REC-5A-4Z, sold separately). The RF controllers can control up to eight zones when used in conjunction with eight receivers (each powered by their own LED-DR100-24).

CONTROL ITEM #	POWER TO CONTROL	RECEIVER ITEM #	CAPACITY	POWER TO RECEIVER
RF-RGBW-3AAA(Handheld)	3x AAA batteries (not incl.)	REC-5A-4Z (up to 8)	8 zones, 5A max	24V DC input
RF-RGBW-USB (Handheld)	rechargeable via USB	REC-5A-4Z (up to 8)	8 zones, 5A max	24V DC input

Alternatively, use the Trulux application with multiple WIFI receivers (one per zone). Visit www.americanlighting.com/truluxapp.html for a direct access link or visit the App Store or Google play marketplace to download the Trulux application. Wireless control needs one **REC-5A-4Z-WIFI** per control zone. Each REC-5A-4Z-WIFI needs an LED-DR100-24 for its 24V DC power input.

TRULUX RGB (IP68)

Installation Instructions for HTL68-RGB
24V DC operation

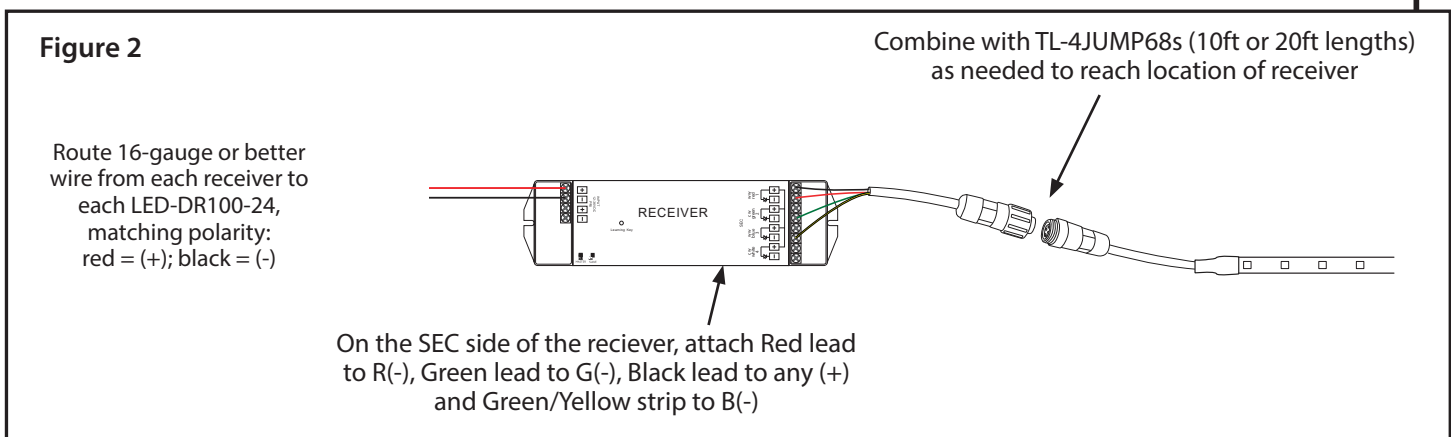


CONNECTING A SYSTEM FOR TRULUX CONTROL:

Note: LED-DR100-24 driver and the REC-5A-4Z receiver are suitable for dry, indoor locations only. Locate in a weatherproof housing if using outdoors. The Trulux controllers are dry location only.

1. Order one LED-DR100-24 for each reel.
2. Consider distance to receiver/driver location from tape light installation and order 4JUMP68 cables as needed (TL-4JUMP68-10 = 10ft length and TL-4JUMP68-20 = 20ft length).
3. Select the RF or WIFI receiver(s), depending upon control preference type, one per driver. Refer to details at bottom of page 1.
4. Locate the receiver(s) and driver in a protected dry location. Using 16-gauge wire or better, bring 24V DC power from the driver to the receiver, matching polarity: red = positive (+) and black = negative (-).
5. Connect the IP68 tape light lead adapter to the receiver, matching polarity: red = positive (+) and black = negative (-). See Figure 2.
6. Choose which controller to use based on required number of zones and preference for type.

Note: For multiple zones, you'll need one RF receiver per zone up to four zones, in conjunction with the SRF-4Z-3P controller. Each RF receiver will need a LED-DR100-24 driver. See Figure 2.



ADVANCED TRULUX COLOR CONTROL:

Trulux controllers are needed for operating Trulux RGB. The following controllers require DMX cable from the controller to the receiver to carry the DMX signal. Each controller requires a receiver (REC-DMX-5A-4Z or REC-DMX-5A-4Z-PLUS, sold separately). The REC-DMX-5A-4Z-PLUS includes built-in programs so that it becomes a standalone controller and a separate Trulux controller is not needed.

CONTROL ITEM #	CONNECTION TO REC.	RECEIVER ITEM #	CAPACITY	POWER TO RECEIVER
DMX-2-2 (12-24V input)	Via DMX cable	REC-DMX-5A-4Z	4 channels, 5A max ea.	24V DC input
"	Via DMX cable	REC-DMX-5A-4Z-PLUS	4 channels, 5A max ea.	24V DC input
DMX-1Z-3P (12-24V input)	Via DMX cable	REC-DMX-5A-4Z	1 zone, 5A max	24V DC input
"	Via DMX cable	REC-DMX-5A-4Z-PLUS	1 zone, 5A max	24V DC input
DMX-3Z (12-24V input)	Via DMX cable	REC-DMX-5A-4Z	1 zone, 5A max	24V DC input
"	Via DMX cable	REC-DMX-5A-4Z-PLUS	1 zone, 5A max	24V DC input
REC-DMX-5A-4Z-PLUS	N/A	N/A	4 channels, 5A max ea.	24V DC input

Alternatively, use the Trulux application with multiple WIFI receivers (one per zone). Visit www.americanlighting.com/truluxapp.html for a direct access link or visit the App Store or Google play marketplace. Wireless control needs one REC-5A-4Z-WIFI per control zone. Each REC-5A-4Z-WIFI needs an LED-DR100-24 for its 24V DC power input.

Important Note: The National Electrical Code (NEC) does not permit cords to be concealed where damage to insulation may go unnoticed. To prevent fire danger, do not run cord behind walls, ceilings, soffits, or cabinets where it may be inaccessible for examination. Cords should be visually examined periodically and immediately replaced when and damage is noted.